

PRODUCT NO.	DSPV02LSGET
RoHS compliant	

REV.	ECN NO.	DR	DATE

REV.	ECN NO.	DR	DATE

NOTES : 1 Specification:

- 1>.Operating force:10000gf Max
- 2>.Operating Temperature: -40° to+85°
- 3>.Storage Temperature: -40° to+85°
- 4>.Mechanical Life:3000cycles minimum
- 5>Electrical Life:2000cycles minimum

2. PLATING:

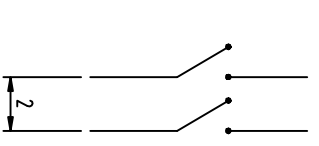
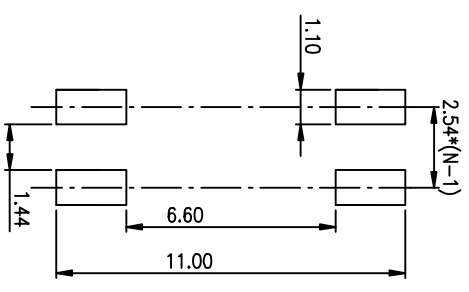
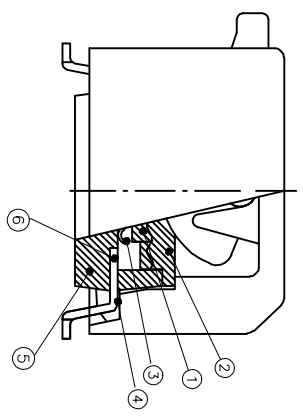
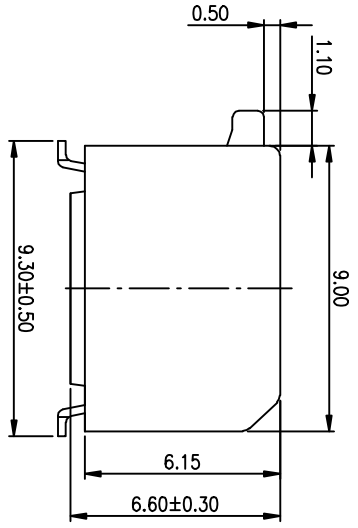
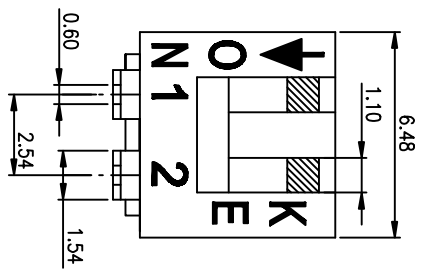
GOLD FLASH 1u”(min.) SOLDER TAIL,
3u” GOLD PLATING ON THE CONTACT AREA,
WITH 50u” NICKEL UNDERPLATINGOVERALL.

3. CONTACT RATING:

- 1.SWITCHING:25mA at 24VDC
- 2.NON-SWITCHING:100mA at 50VDC
- WITH 50u” NICKEL UNDERPLATINGOVERALL.

4. PART NUMBER DESCRIPTION :

DS XX I S G E T
 [Packing:T=Tube R=Reel]
 [Finish:E=3u” Gold-plated F=10u” Gold-plated]
 [Finish: G=Full Gold S=Contact-Gold-plated]
 [Terminal:S=SMD type H=Straight.....]
 [Actuator:T=Tape sealed S=Low profile W/O Tape L=Extension]
 [HP=Half-Pitch IC=IC type PV=Plano type]



RECOMMENDED P.C.B. LAYOUT (TOP VIEW)

Number	Part Name	Material	Finished
①	Actuator	UL94 V0	White
②	Cover	UL94 V0	Black
③	Movable	Copper Alloy	3u” Gold
④	Terminal	Brass	1u” Gold
⑤	Base	UL94 V0	Black
⑥	Terminal Contact	Brass	3u” Gold

TOLERANCE UNLESS OTHERWISE SPECIFIED		INSPECTION	
LINER	ANGLES	COPY	PROJECTION
0 ± 0.25	0 ± 2°		
.00 ± 0.15	.0 ± 1°		
.000± 0.10	.00± 0.5°		
DESIGN	kathy		03/20/12
DRAWING			
CHECK			
APPRO.			

德信精密電子股份有限公司 Dongguan Kingtek Industrial Co., Ltd.			
TITLE			
BY DSPV SERIES PITCH 2.54mm			
PRODUCT FAMILY DSPV SERIES			
PRAT NO. DSPV02LSGET			
FILE NO.	DSPV02LSGET-A	SIZE	UNIT
SCALE	SHEET	SCALE	SHEET
REV.	REV.	TOP	REV.
A4	mm	Z : 1	TOP:1 A